

SULZER

Massblatt XFP 80C-CB1 Trockeninstallation
Dimension sheet DRY-WELL Installation
Dimensioni Installazione a secco
Hoja de dimensiones instalacion en seco
Plan d'encombrement Installation a sec

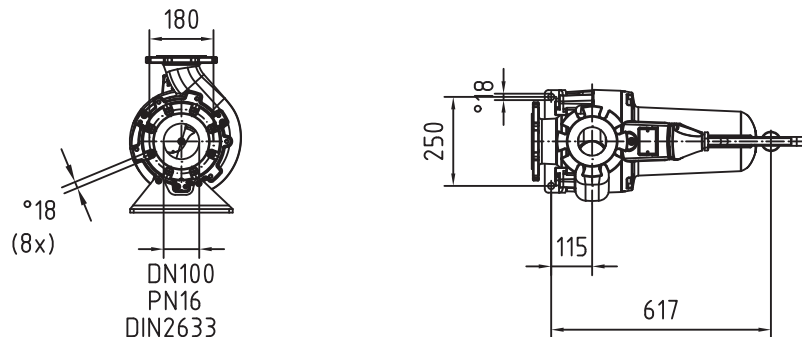
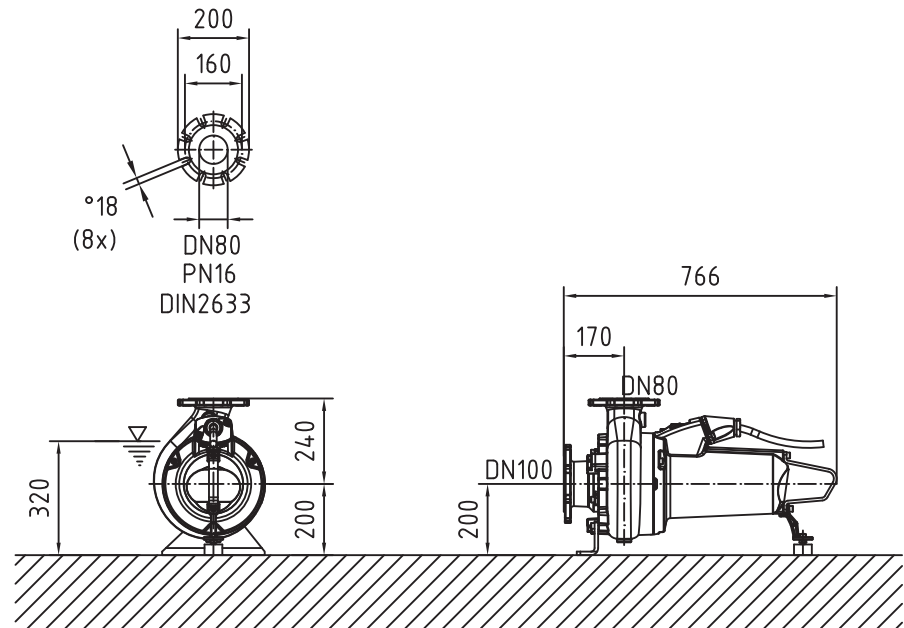
No: AN-M.22.556 - 03
Drawn: 11.05.09 / D.Whelan
Issue Date: 09/05/2013
Änderungen vorbehalten
Technical changes reserved
Con riserva di modifiche
Con reserva de modificaciones
Sous réserve de modification

50 Hz

Typ Type Tipo	Gewicht Weight Poids Peso (kg)
PE 13/6	120
PE 22/4	120
PE 29/4	120

60 Hz

Typ Type Tipo	Gewicht Weight Poids Peso (kg)
PE 28/4	130
PE 28/4W	120
PE 20/6	130
PE 20/6W	130
PE 35/4	130



S.I.

Gewicht: Beinhaltet Pumpe ,horizontal Stützen und Kabel (50 Hz = 10 m; 60 Hz = 15 m)
Weight: includes pump, horizontal supports and cable (50 Hz = 10 m; 60 Hz = 15 m)
Peso: include pompa, supporti orizzontali e cavo (50 Hz = 10 m; 60 Hz = 15 m)
Peso: Incluye bomba, soporte horizontal y cable (50 Hz = 10 m; 60 Hz = 15 m)
Poids : incluant la pompe, les supports horizontaux et le cable (50 Hz = 10 m; 60 Hz = 15 m)

Guss-Allgemeintoleranzen nach DIN1680 - GTB16
General tolerances for castings in acc. to DIN1680-GTB16
Tolleranze generali delle fusioni secondo DIN1680-GTB16
Tolerancias generales para la fundicion seg. de DIN1680-GTB16
Tolérance générale de la fonderie selon DIN1680-GTB16

SULZER

Massblatt XFP 80C-CB1 Trockeninstallation
Dimension sheet DRY-WELL Installation
Dimensioni Installazione a secco
Hoja de dimensiones instalacion en seco
Plan d'encombrement Installation a sec

No: AN-M.22.556 - 03
Drawn: 11.05.09 / D.Wheelan
Issue Date: 09/05/2013
Änderungen vorbehalten
Technical changes reserved
Con riserva di modifiche
Con reserva de modificaciones
Sous réserve de modification

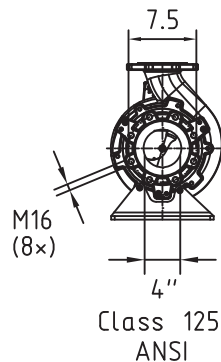
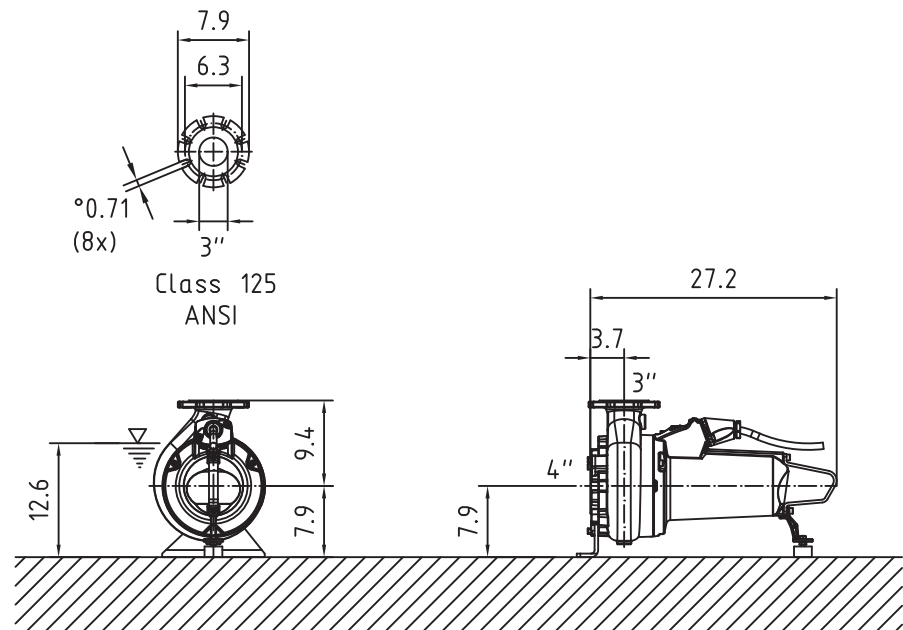
50 Hz

Typ Type Tipo	Gewicht Weight Poids Peso (lbs)
PE 13/6	265
PE 22/4	265
PE 29/4	265

60 Hz

Typ Type Tipo	Gewicht Weight Poids Peso (lbs)
PE 28/4	287
PE 28/4W	265
PE 20/6	287
PE 20/6W	287
PE 35/4	287

U.S.



Gewicht: Beinhaltet Pumpe ,horizontal Stützen und Kabel (50 Hz = 10 m; 60 Hz = 15 m)
Weight: includes pump, horizontal supports and cable (50 Hz = 10 m; 60 Hz = 15 m)
Peso: include pompa, supporti orizzontali e cavo (50 Hz = 10 m; 60 Hz = 15 m)
Peso: Incluye bomba, soporte horizontal y cable (50 Hz = 10 m; 60 Hz = 15 m)
Poids : incluant la pompe, les supports horizontaux et le cable (50 Hz = 10 m; 60 Hz = 15 m)

Guss-Allgemeintoleranzen nach DIN1680 - GTB16
General tolerances for castings in acc. to DIN1680-GTB16
Tolleranze generali delle fusioni secondo DIN1680-GTB16
Tolerancias generales para la fundicion seg. de DIN1680-GTB16
Tolérance générale de la fonderie selon DIN1680-GTB16